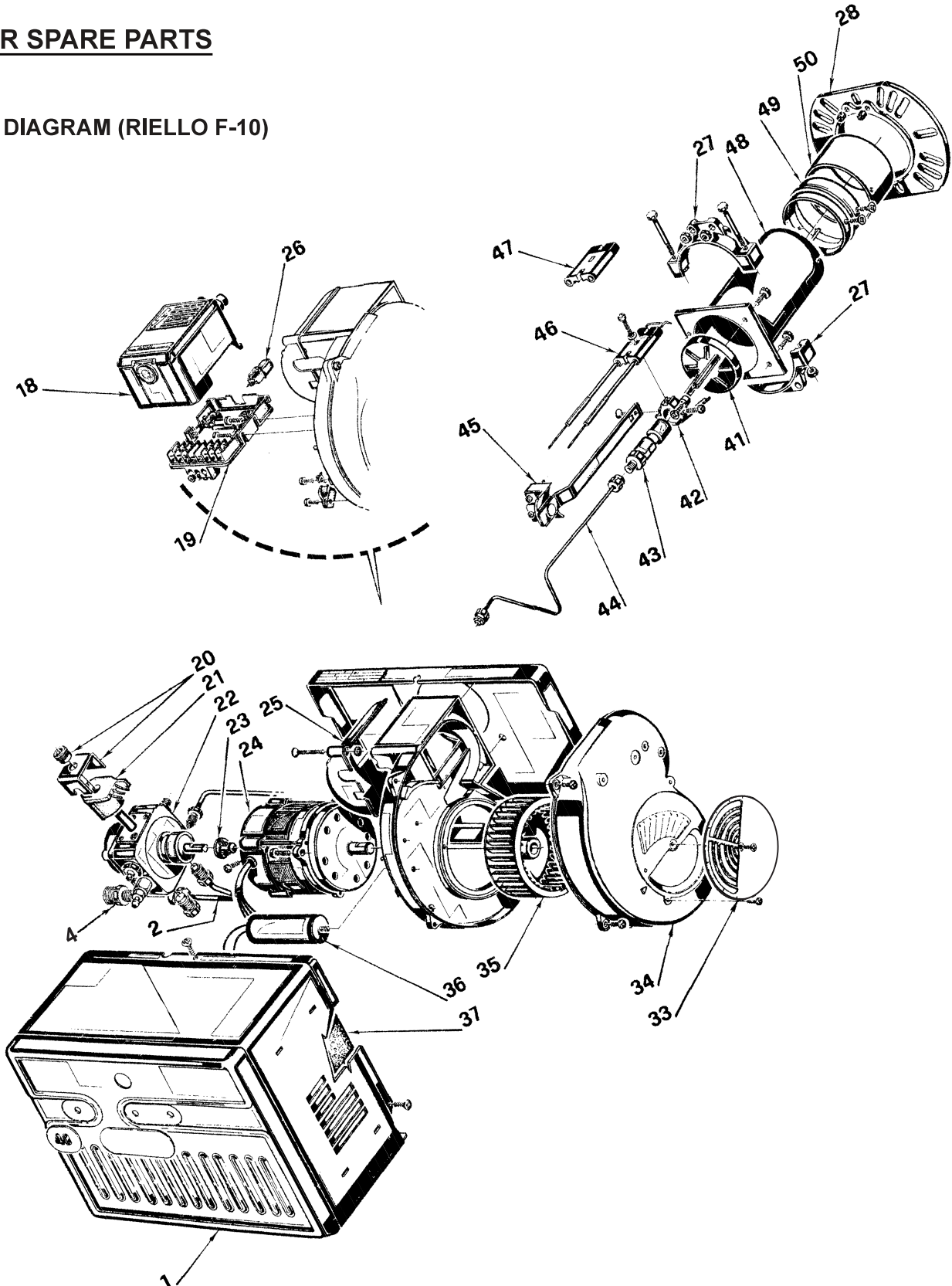


BURNER SPARE PARTS

PARTS DIAGRAM (RIELLO F-10)



BURNER PARTS LIST

REF	PART NUMBER	PART DESCRIPTION
1	R3020509R	STEEL BURNER COVER
2	R3006992	SUPPLY LINE
4	R3006993	RETURN LINE
18	R7001029	IGNITION MODULE
19	R3002278	SUB-BASE FOR IGNITION MODULE
20	R3006553	COIL U-BRACKET C/W KNURLED NUT
21	R3002279	PUMP COIL
22	R20136488	BURNER PUMP
23	R3000443	PUMP DRIVE KEY
24	R7001034	BURNER MOTOR
25	R3007317	AIR TUBE COVER PLATE
26	R20132573	PHOTO CELL
27	R3005854	SEMI FLANGE
28	R3005855	MOUNTING FLANGE
33	R3007205	AIR DAMPER
34	R3007209	AIR INTAKE HOUSING
35	R3005788	BURNER FAN
36	R3005844	BURNER CAPACITOR
37	R3007357	SOUND ABSORBING PANEL
41	R3006978	TURBULATOR DISC.
42	R3006966	ELECTRODE SUPPORT
43	R3006965	NOZZLE HOLDER
44	R3006979	NOZZLE OIL TUBE
45	R3005889	REGULATOR ASSEMBLY
46	R3005891	ELECTRODE ASSEMBLY
47	R3005869	ELECTRODE PORCELAIN
48	R3006982	BLAST TUBE
49	R3006983	END CONE ADAPTER
50	R3006984	END CONE

PARTS LIST

PART NUMBER	PART DESCRIPTION
H-0001	BASE FRAME
H-0002	BOTTOM BODY PANEL
H-0003	TOP BODY PANEL
H-0004	DUCTING OUTLET, 2 × 12"
H-0004A	DUCTING OUTLET, 1 × 16"
H-0005	BURNER MOUNT PANEL
H-0006	SINGLE HOLE LIMIT BOX
H-0007	DOUBLE HOLE LIMIT BOX
H-0008	MAIN ELECTRICAL BOX
H-0009	H-400 FAN SHROUD
H-0010	H-400 FAN CANOPY
H-0010R	R-400 FAN CANOPY
H-0011	H-400 MOTOR MOUNT
H-0011R	R-400 MOTOR MOUNT
H-0012	SS HEAT EXCHANGER
H-0013	16" 5 BLADE FAN
H-0014	16" R- FAN BLADE
H-0014B	RC FAN VENTURI
H-0015	16" WHEEL
H-0016	WHEEL AXLE
H-0017	SUPPORT LEG
H-0018	LIFTING HARNESS
H-0019	RAIN CAP AND CABLE TO ATTACH IT
H-0020	FUEL FILLER EXTENSION
H-0021-048	FUEL GAUGE, 48 GALLON
H-0021-060	FUEL GAUGE, 60 GALLON
H-0021-118	FUEL GAUGE, 118 GALLON
H-0022	FUEL CAP
H-0023-048	SUPPLY DROP TUBE, 48 GALLON
H-0023-060	SUPPLY DROP TUBE, 60 GALLON
H-0023-118	SUPPLY DROP TUBE, 118 GALLON

PARTS LIST (CONT)

PART NUMBER	PART DESCRIPTION
H-0025	STANDARD FUEL FILTER (older style – Large)
H-0027	CLEAR FUEL LINE 16" → TANK TO FILTER / BURNER TO TANK
R421A	CLEAR FUEL LINE 7" → FILTER TO BURNER
H-0028	FULL SET OF DECALS
H-0040	POWER CORD 120 V PLUG END
H-0041	MAIN RELAY
H-0042	LOW LIMIT 150°F
H-0043	HIGH LIMIT 250°F
H-0044	FAN LIMIT SWITCH (ADJUSTABLE)
H-0045	FAN LIMIT SILICONE GASKET
H-0046	FEELER GAUGE
H-0046A	FEELER GAUGE – SOLID
H-0047	GREEN LIGHT
H-0048	RED LIGHT
H-0049	TOGGLE SWITCH
H-0050	25' CORD C/W THERMOSTAT – COMPLETE
H-0050A	THERMOSTAT BOX
H-005AB	THERMOSTAT KNOB
H-0050C	THERMOSTAT PLUG
H-0050F	50' CORD C/W THERMOSTAT - COMPLETE
H-0052	TERMINAL
H-0053	BURNER GASKET WITH CLAMP
H-0054	FOAM FOR UNDER R HOOD
H-0058	3/8" SHUT-OFF VALVE
H-0060	F-10 RIELLO DIESEL BURNER
H-0060A	PRE-HEATER ASSEMBLY, F-10 RIELLO BURNER
H-0062	3/4 HP FAN MOTOR
H-0063	1 HP FAN MOTOR - R MODEL
H-0064	OIL BURNER NOZZLE (1.75 X 60 W)
H-0065	OIL BURNER NOZZLE (2.00 X 60 W)
H-0066A	OIL TANK DRAIN PLUG (INNER)
H-0066B	CONTAINMENT TANK DRAIN PLUG (OUTER)
H-0067	SIGHT GLASS C/W FIBER GASKET G WASHER
H-0068	1/2" X 7" SS NIPPLE G 1/2" SS CAP HEATER EXCHANGER DRAIN
H-0069	FUEL FILTER (NEW STYLE – SMALL)
H-0069A	FUEL FILTER C/W
H-TANK-048	TANK, 48 US GALLON
H-TANK-060	TANK, 60 US GALLON
H-TANK-118	TANK, 118 US GALLON